

MODEL WSP-R350

(3inch Mobile Printer)

Rev. 1.5



UTING®
ELEKTRONIK

Türkiye Genel Dağıtım:
Uting Elektronik ve Endüstriyel Ürünler, Mümessillik,
Dış Ticaret ve San. Ltd.Şti.

www.utingelektronik.com

Tel: 0212- 639 20 95,-96,-97 Fax: 0212- 639 32 19

All specifications are subjected to change without notice.

■ Copyright

WSP-R350 3inch mobile printer operator's manual.

Copyright ©2017 by Woosim Systems Inc.

All rights reserved.

The information contained in this manual is the property of Woosim Systems Inc.

And may not be reproduced in whole or in part without the prior written permission of Woosim Systems Inc.

■ Trademark



a registered trademark of Woosim Systems Inc.

All other trademark are the properties of their respective companies.

■ Caution

Some semiconductor devices are easily damaged by static electricity. You should turn the printer "OFF", before you connect or removed the cable on the rear side, in order to guard the printer against the static electricity.

If the printer is damaged by the static electricity, you should turn the printer "OFF".

■ Notice

The contents of this manual are subject to change without notice.

■ Introduction

The **WSP-R350** is the ideal solution for Mobile banking system , Retail, point of sales, Credit card Transaction, other traveling and mobile computing etc.

The general features of **WSP-R350** printer are as follows:

- ▶ Pocket size (108.5 X 134.8 X 56.5mm)
- ▶ Light weight (397.5g) for true mobility.
- ▶ Very silent printing thru direct thermal printing method.
- ▶ High speed(120mm/sec, MAX)
- ▶ High resolution(203dpi : 8dots/mm)
- ▶ UART(RS-232C or TTL), Bluetooth Ver3.0, USB [option] Interface
- ▶ Intuitive LED's indicate Power(on/off),Error, Bluetooth status, Battery status
- ▶ Support Magnetic Stripe Reader [option].
- ▶ Support text and graphic printing.
- ▶ Easier paper loading by CLAMSHELL design.
- ▶ One touch paper cover
- ▶ Printer door open & Paper-out sensor
- ▶ Easier maintenance with self-diagnostics.
- ▶ In field programming – Update Firmware, Download Fonts and Logos
- ▶ Microsoft Windows/Windows CE, Linux, Android, iOS compatible
- ▶ Flow control : Software (XON/XOFF)
 - ※ Hardware flow control not supported in printer.
- ▶ Agency Approvals



■ Operating Precautions

Please follow the precautions below to enjoy and maintain the full performance of the printer.

▶ Using the Printer

- Be careful not to drop or bump the printer on a hard surface.
- Do not install the printer in direct sunlight or such areas.

Suitable environment for the use of the printer is as follows:

- ◆ Operating temperature : -10°C to 50°C
- ◆ Relative humidity : 30% to 80%
- Do not install the printer near devices that generate strong electromagnetic fields such as a copy machine.
- Do not open the platen cover during printing .
- Do not remove or reinstall the communication cable during printing or transmission.
- Do not touch the connectors of the communication during printing.
- Switch the POWER OFF when not in use.
- Do not use other solvent.
- The AC adapter, the battery charger and the battery pack may become warm when in use. This is normal and is not a malfunction.
- When the battery pack is used at low temperature, the length of time the printer can be used may be shortened.

▶ Thermal Paper Handling

- Store the thermal paper in a cool, dry and dark place.
- Do not rub the paper with hard object.
- Do not leave the paper with hard object.
- Do not allow plastic film, erasers, or adhesive tape to touch the paper for long periods.
- Do not stack the thermal paper with diazo copies immediately after copying or wet-type copies.
- Do not use chemical glue.
- Always use the clean thermal paper.

**Federal Communications Commission
Radio Frequency Interference Statement**

FCC ID : QDDWSP-R350

This device complies with Part 15 of the FCC Rules. Operation is subject to the following two conditions:
(1) This device may not cause harmful interference, and (2) this device must accept any interference received, including interference that may cause undesired operation.

CAUTION: Changes or modifications not expressly approved by the party responsible for compliance could void the user's authority to operate the equipment.

Note: This equipment has been tested and found to comply with the limits for a Class B digital device, pursuant to part 15 of the FCC Rules. These limits are designed to provide reasonable protection against harmful interference in a residential installation. This equipment generates, uses and can radiate radio frequency energy and, if not installed and used in accordance with the instructions, may cause harmful interference to radio communications. However, there is no guarantee that interference will not occur in a particular installation. If this equipment does cause harmful interference to radio or television reception, which can be determined by turning the equipment off and on, the user is encouraged to try to correct the interference by one or more of the following measures:

- Reorient or relocate the receiving antenna.
- Increase the separation between the equipment and receiver.
- Connect the equipment into an outlet on a circuit different from that to which the receiver is connected.
- Consult the dealer or an experienced radio/TV technician for help.

Modifications not expressly approved by the manufacturer could void the user's authority to operated the equipment under FCC rules.

This Device has been evaluated to comply with RF exposure requirement for general use limit in portable condition. It is safe to be used in sold condition.

CE WARNING

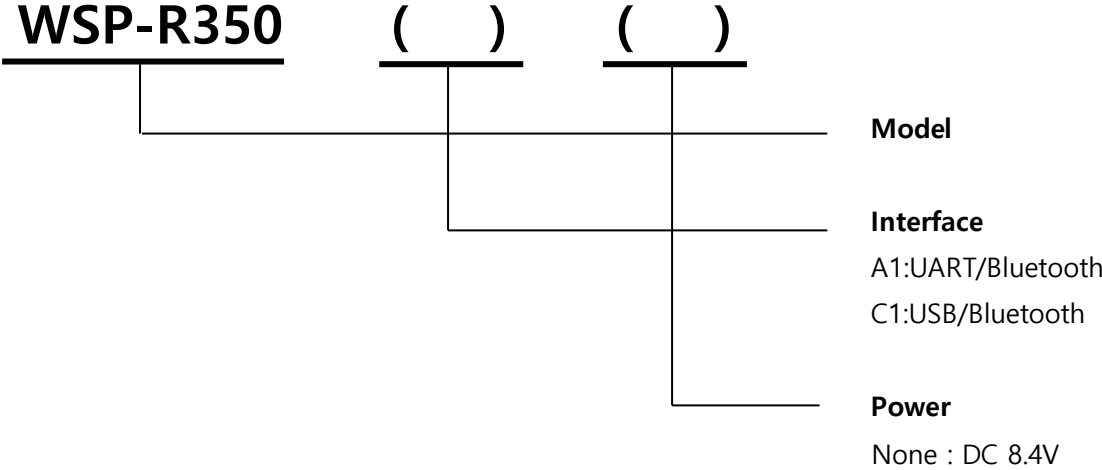
- Changes and modifications not expressly approved by the party responsible for compliance could void the user's authority to operate the equipment.
- It is desirable that it be installed and operated with at least 20cm or more between the radiator and person's body(excluding extremities hand, wrists, feet, and ankles)

CONTENTS



- 1. Outline 7**
 - 1.1. Model classifications 7
 - 1.2 Symbol 7
 - 1.3. Product Part Number System..... 8
 - 1.4. Specifications..... 9
- 2. Setting up the printer.....11**
 - 2.1. Printer & Accessories 11
 - 2.2. Printer Features 12
 - 2.3. Dimensions 13
 - 2.4. Replacing the paper roll 14
 - 2.5. Power supply..... 15
 - 2.5.1. Internal power supply 15
 - 2.5.2. Installing the Battery 15
 - 2.5.3. Recharging the battery 16
 - 2.6. Set operation mode 17
- 3. Interface.....21**
 - 3.1. UART(RS-232C or TTL) or USB 21
 - 3.2. Bluetooth 22
 - 3.3. Read a magnetic stripe card (option)..... 22
- 4. Using the printer.....23**
 - 4.1. Control panel..... 23
 - 4.2. The self test 24
 - 4.3. Using the Belt clip 24
- 5. Consumable Parts.....25**
 - 5.1. Recommended paper 25
 - 5.2. Printing position 25
- 6. Revision History26**

1. Outline

1.1. Model classifications



1.2 Symbol

	<p>Standby symbol</p> <p>IEC 5009, the standby symbol(line partially within a broken circle), Indicates a sleep mode or low power state.</p>
	<p>Direct current symbol</p> <p>This symbol is found on many electronic devices that either require or produce direct current.</p>

1.3. Product Part Number System

Model name / Interface Spec.

S40
SC30
W25
.
.
.

Wired		Wireless	
A	RS-232C	1	Bluetooth
B	TTL	2	IrDA
C	USB	0	None
D	RS-485		
E	Parallel		
Z	None		

Example) 1. Porti-S40 UART/Bluetooth Part No. ⇒ S40/A1
 2. Porti-SC30 Bluetooth Only Part No. ⇒ SC30/Z1

Note) The above table is the interface format which is supported.
 But some of the interfaces are not supported according to the product
 and please contact us, if you have any questions regarding the interface.

1.4. Specifications.

Item	Specification
Printing method	Direct thermal line printing
Character size	- Font Size A: 12X24 / Font Size B : 9X24 / Font Size C : 8X16 - KOR : 24X24(16X24) / CHN, JPN : 24X24
Characters per line	- Font A : 48cpl / Font B : 64cpl / Font C : 72cpl - KOR, CHN, JPN : 24cpl
Optional Characters	Alphanumeric:95, Extended Graphics:128X50 pages, International:10, Simplified/Traditional Chinese, Japanese, Korean
Resolution	203dpi, 8dots/mm
Print width	3-inch (72mm, 576dots)
Printing speed	120mm / sec (MAX)
Dimensions	108.5 X 134.8 X 56.5mm 108.5 X 138.41 X 56.5mm (MSR Model)
Weight (w/o paper)	397.5g / 409.1g (MSR model)
Interface	UART(RS-232C or TTL) , Bluetooth Ver3.0 USB[option] interface
Paper supplied	Thermal roll paper, Label roll (80mm wide, 50ø)
Barcode supplied	1-dimension : UPC-A, UPC-E, EAN-8, EAN-13, CODE-39, CODE-93, CODE-128, ITF, CODABAR 2-dimension : PDF417, Micro PDF417, Truncated PDF417, QR-CODE, DATA Matrix, Maxicode Etc :GS1 databar
Driver	Microsoft Windows, Linux
H/W spec.	MCU : RX-32bit, RAM : 128M bit, FLASH : 64M bit
Receive buffer size	1M bytes
Sensor	Support Cover open, Paper, Label
MSR (option)	Triple tracks (1&2&3 Tracks Reading) *Supports 3DES & AES encryption

(Continue...)

Item	Specification	
Battery	Rechargeable 7.4V DC, 2200mAh (Li-ion)	
Battery duration	1 hour continuous printing	
Battery Charger	Input (100~240V AC 50~60Hz) Output(8.4VDC/0.8A), 4hours full charge time	
Environment Conditions	Temperature	-10°C ~ 50°C (operating) -10°C ~ 70°C (storage)
	Humidity	30% - 80% (operating) 10% - 90% (storage)
MCBF (Mean Cycle Between failure)	Mechanical	37,000,000 lines
	Head	Approximately 50 Km

< Table 1 >

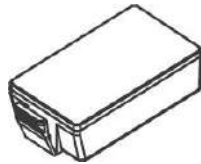
2. Setting up the printer

2.1. Printer & Accessories

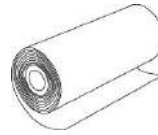
Your printer box should include these items. If any items are damaged or missing, please contact your dealer for assistance.



WSP-R350



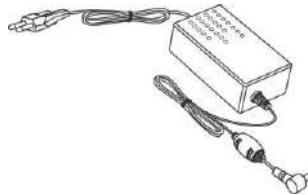
Battery Pack



Thermal roll paper



Belt Clip



Battery charger adaptor



or

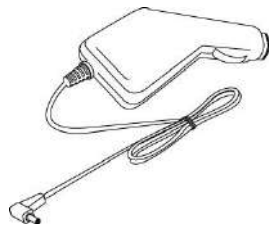


Communication cable

▼ OPTIONAL



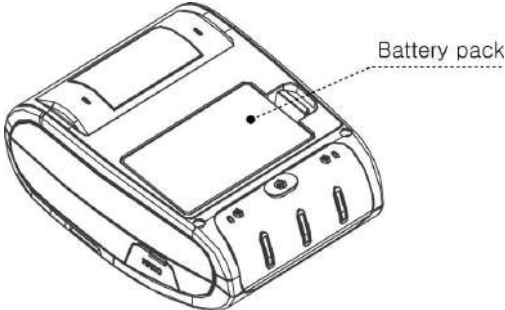
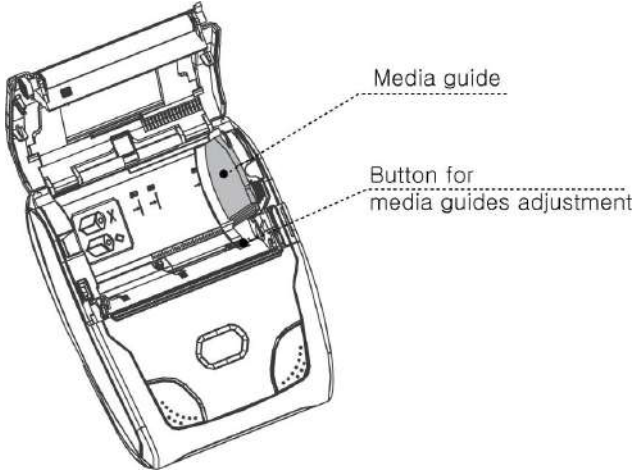
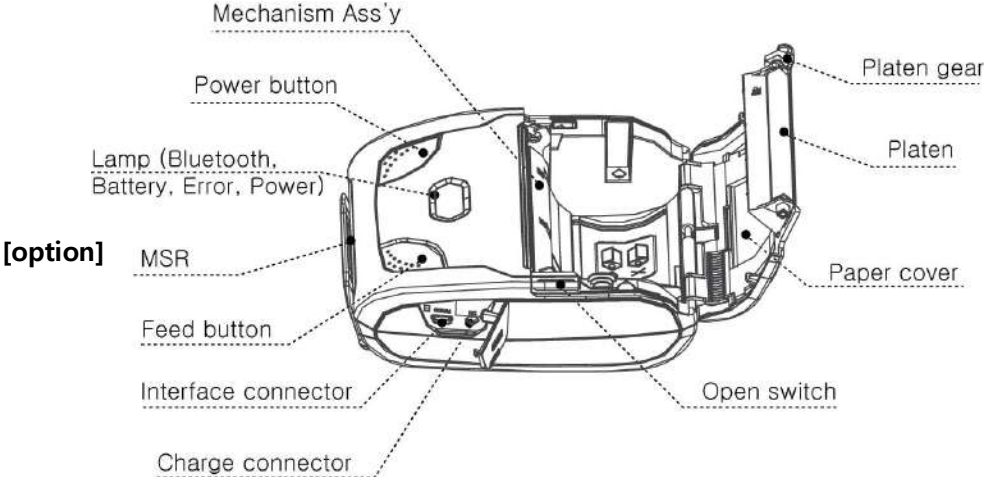
MSR



Car charger

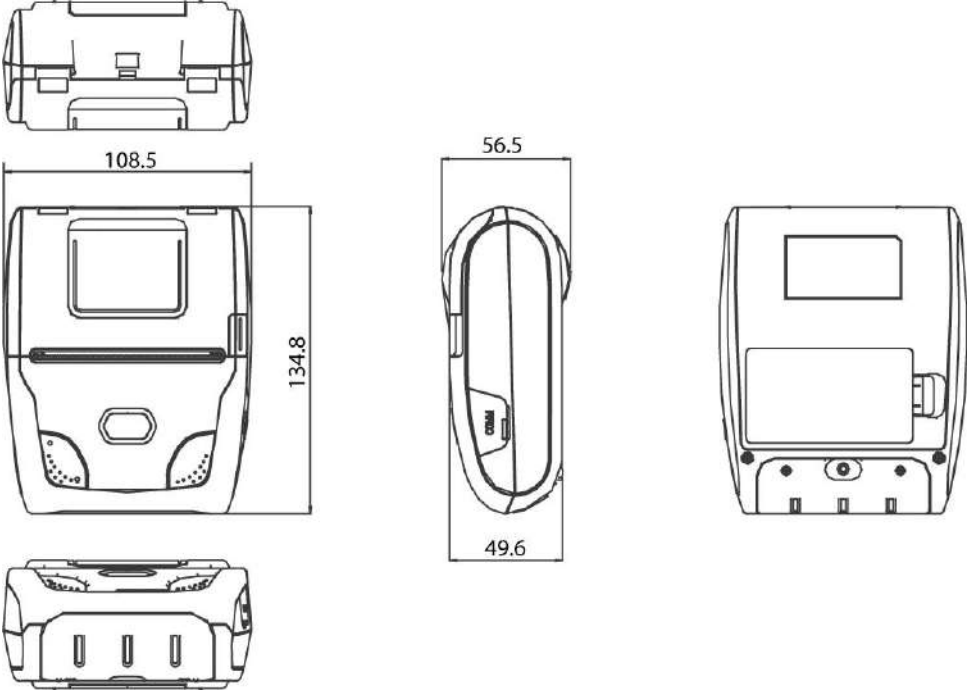
2.2. Printer Features

► Part Name

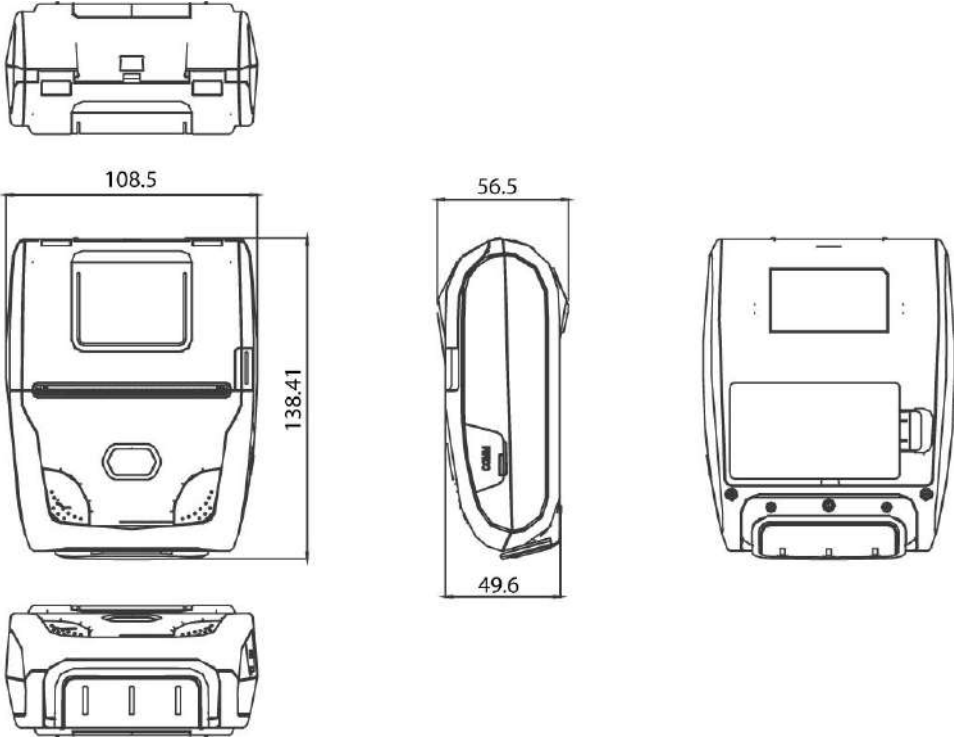


2.3. Dimensions

► Standard Model



► MSR Model

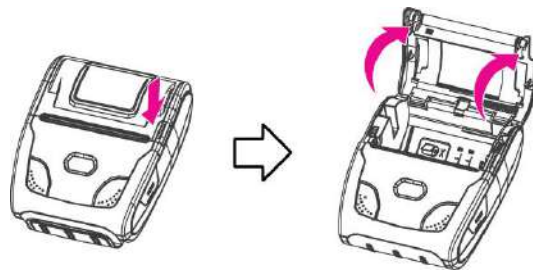


2.4. Replacing the paper roll

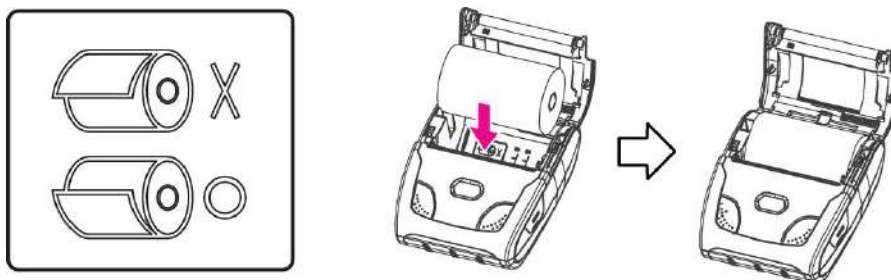
Note : Be sure to use paper rolls that meet the specifications.

Do not use paper rolls that have the paper glued to the core because the printer can not detect the paper end correctly.

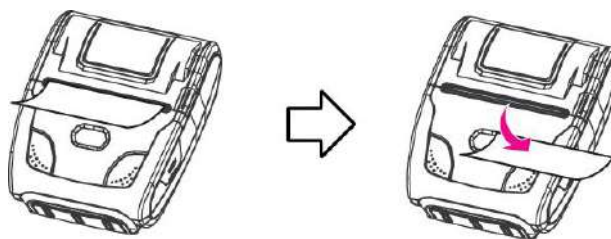
1. Make sure that the printer is not receiving data; otherwise, data may be lost.
2. Open the paper cover as the "One-Touch" way by pressing the button in the arrow direction like the picture.



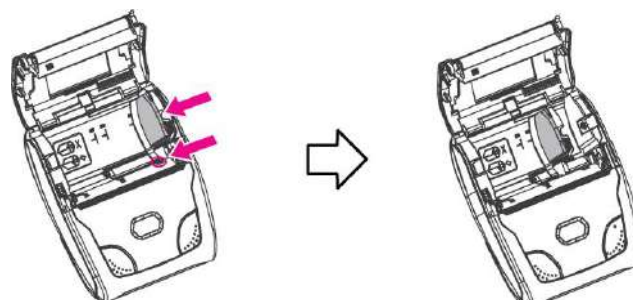
3. Insert the paper roll as shown.



4. Tear the excess paper off using the edge of paper door as a tear bar.



5. To change paper width, move paper guide while pressing paper width change button as shown in the picture.



2.5. Power supply

2.5.1. Internal power supply

The following specification is requested for Power supply.

Battery Charger : DC 8.4V/0.8A

Avoid using power supply which its power capacity of power current is extremely high.

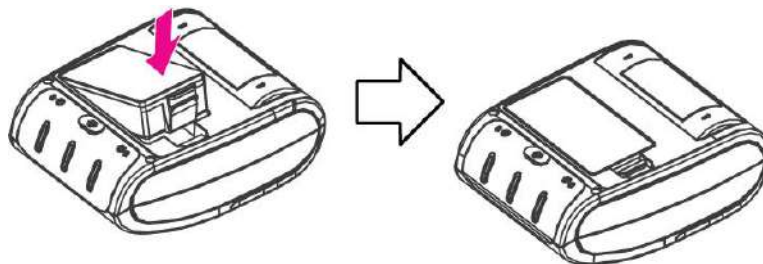
2.5.2. Installing the Battery

Warning :

- Before installing or removing the battery pack, ensure the printer is OFF.
- If the printer is not used for long period of time, remove the battery pack from the printer.
- Risk of explosion if battery is replaced by an incorrect type.
Dispose of used batteries according to the instructions.
- Batteries are provided not being charged. Please charge the battery before use.

① To install battery pack, proceed as follows:

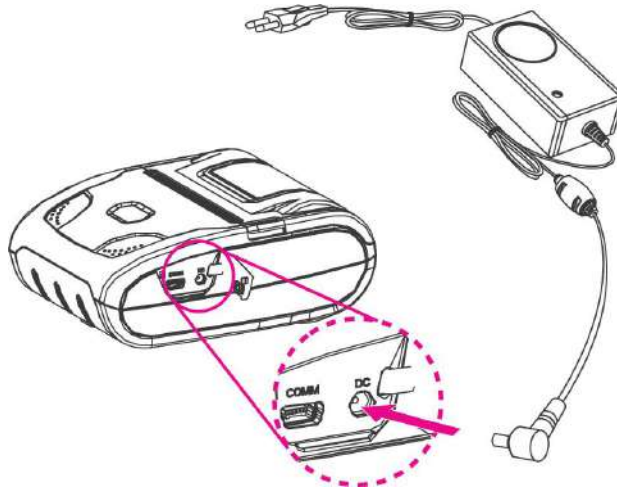
-Insert the Battery Connector in the direction of the arrow.



② To remove battery pack, proceed the above order reverse.

2.5.3. Recharging the battery

For recharging the battery pack, install the battery pack in the printer.
Insert the Battery Charger to the charge connector of the printer.



- NOTE :**
- While charging the printer, turn off the printer power.
 - Do not remove the battery during charging.
 - The battery is consumable parts and when purchasing, compared to the use hour is gradually decreases. (Warranty 6 month)
 - If the printer is not used for a long time, unplug the power cord from the printer and outlet.
 - The recharging time depends on the voltage level and ambient temperature of the battery.
Normally, it takes about 4 hours to recharge a battery pack.
 - You must use only the supplied adapter.
 - Red Lamp : charging the battery.
 - Green Lamp : charging is finished.

2.6. Set operation mode

In keeping on pressing the Feed and Power button simultaneously until after the **ERROR lamp** blinks 5 times, the printer comes out at the circumstance to change the printer mode.
(refer to Table 2)

- **POWER button** : use for changing OPTION status. (Error Lamp)
- **FEED button** : use for changing MODE status. (Power Lamp)

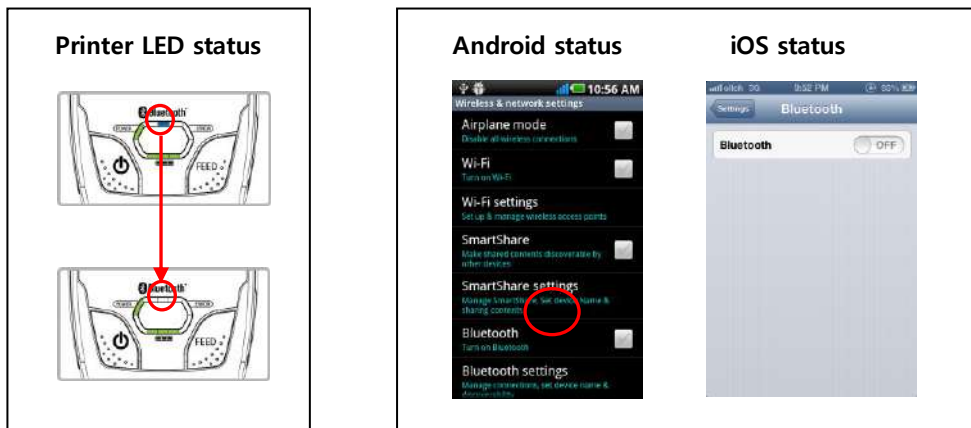
***Note**

No additional mode settings are required to connect Android or iOS devices.

** If you want to change the Bluetooth Mode of printer, you need to disconnect the Bluetooth function of the current paired Smartphone.

**** Methods :**

1. Turn off the Bluetooth function of the current paired Smartphone.
(Blue LED is off.)
2. Change the printer mode.
(Additionally, we want to recommend you to rest(OFF→ON) the printer and change mode.)



[Example] The defaults of the printer are :

USB / 9600 bps / 8 data bit / No parity / 1 stop bit / Density low
/ Mark no use / Sensor low / Power down 5 minute

If a user wants to modify the defaults with

Bluetooth / 57600 bps / 7 data bit / Odd parity / 2 stop bit / Density high
/ Mark use / Sensor medium1 / Power down no use

- ▶ Press FEED & POWER Button during the **Error Lamp** flickers 5 times.
→ You will see the **Power Lamp** and the **Error Lamp** flickers once.
→ Press the **POWER Button** twice and the **Error Lamp** flickers 3 times.
And then, interface mode has set to **Bluetooth** mode.
- ▶ When you press **FEED button** once again, **Power Lamp** flickers twice and the **Error Lamp** flickers once.
→ Press **POWER Button** 3 times, **Error Lamp** flickers 4 times.
And then, baudrate has set to **57,600 bps**.
- ▶ When you press **FEED button** once again, **Power Lamp** flickers 3 times and the **Error Lamp** flickers twice.
→ Press **POWER Button** once, **Error Lamp** flickers once.
And then Data Bit has set to **7 data bit**.
- ▶ When you press **FEED Button** once again, **Power Lamp** flickers 4 times and the **Error Lamp** flickers once.
→ Press **POWER Button** once, **Error Lamp** flickers twice.
And then the Parity bit has set to **Odd parity bit**.
- ▶ When you press **FEED Button** once again, **Power Lamp** flickers 5 times and **Error Lamp** flickers once.
→ Press **POWER Button** once, **Error Lamp** flickers twice.
And then the density has set to **2 stop bit**.
- ▶ When you press **FEED Button** once again, **Power Lamp** flickers 6 times and **Error Lamp** flickers once.
→ Press **POWER Button** twice, **Error Lamp** flickers 3 times.
And then the density has set to **Density high**.

- ▶ When you press **FEED Button** once again, **Power Lamp** flickers 7 times and **Error Lamp** flickers twice.
 - Press **POWER Button** once, **Error Lamp** flickers once
 - And then the mark has set to **Mark no use**.
- ▶ When you press **FEED Button** once again, **Power Lamp** flickers 8 times and **Error Lamp** flickers once.
 - Press **POWER Button** once, **Error Lamp** flickers twice
 - And then the sensor has set to **Sensor medium1**.
- ▶ When you press **FEED Button** once again, **Power Lamp** flickers 9 times and **Error Lamp** flickers five times.
 - Press **POWER Button** once, **Error Lamp** flickers once
 - And then the power down has set to **Power down use**.

If all the mode have set, press the **POWER Button** and the **FEED Button** at the same time after then release the buttons at the same time.

The printer will print out the mode status which has modified.

(Bluetooth / 57600 bps / 7 data bit / Odd parity / 2 stop bit / Density high / Mark no use / Sensor medium1 / Power down use)

If the status is not correct, please try it again according to the procedure.

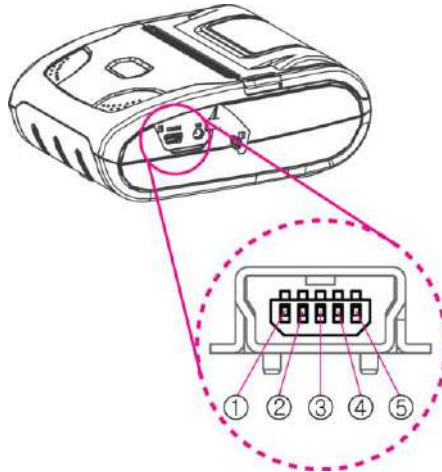
MODE	POWER Lamp (Green)	ERROR Lamp (Red)	Option	
Communication Port	1	1	USB	RS-232C
		2	USB(Pro)	RS-232C(Pro)
		3	Bluetooth	
		4	Bluetooth(Pro)	
		5	Bluetooth(iAP)	
Baud Rate	2	1	9600 bps	
		2	19200 bps	
		3	38400 bps	
		4	57600 bps	
		5	115200 bps	
Data Bit	3	1	7 Data bit	
		2	8 Data bit	
Parity	4	1	No Parity	
		2	Odd Parity	
		3	Even Parity	
Stop bit	5	1	1 stop bit	
		2	2 stop bit	
Density	6	1	Density Low	
		2	Density Medium	
		3	Density High	
Mark	7	1	No use	
		2	Use	
		3	Gap/Hole	
		4	Back	
Sensor	8	1	Low	
		2	Medium1	
		3	Medium2	
		4	High	
Power Down	9	1	No use	
		2	1 minute	
		3	2 minute	
		4	3 minute	
		5	4 minute	
		6	5 minute	

< Table 2 >

Notice : Bluetooth(iAP) is the mode which is used in iPod, iPhone and iPad Whole aspect.

3. Interface

3.1. UART(RS-232C or TTL) or USB



(Fig.3.1)

The WSP-R350 printer has a UART(RS-232C or TTL) or USB interface and is connected by means of a 5 pin mini USB socket.

In the following table, the signals present on the Mini- USB socket are listed:

① UART

Pin No.	Name	Direction	Function
1	TxD	Output	Transmit Data
2	RxD	Input	Receive Data
3	GND	-	Ground
4	NC.	-	-
5	GND	-	Ground

② USB

Pin No.	Name	Function
1	VCC	+5V
2	DM	DATA "-"
3	DP	DATA "+"
4	NC.	-
5	GND	Ground

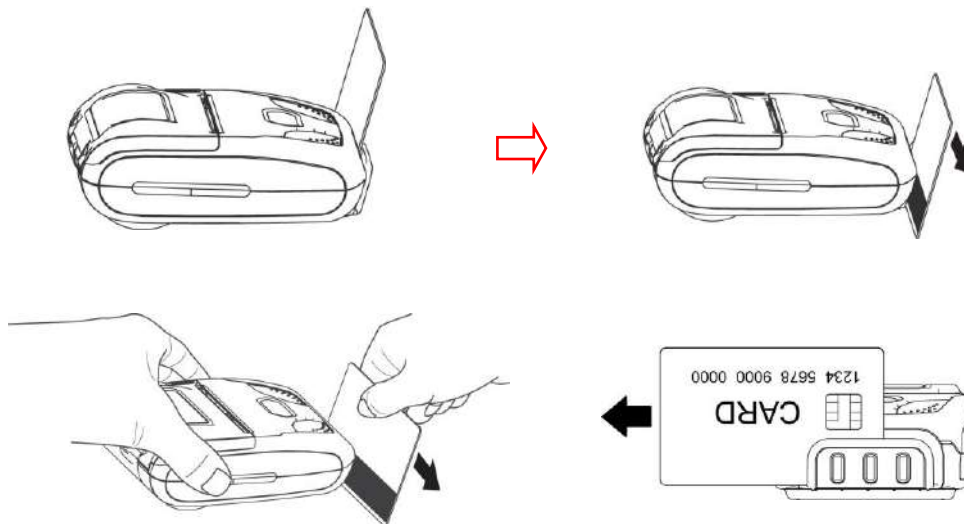
NOTE :

- If you connect the printer interface cable is converted to UART mode.
- When data receiving, when it removes the communication cable, it loses a data.

3.2. Bluetooth

Category	Specification
Bluetooth Spec.	Bluetooth Ver3.0 / Class2 (10m)
Frequency band	2402~2480 MHz
Protocol	L2CAP, RFCOMM, SDP
Profile	GAP, SDAP, SPP

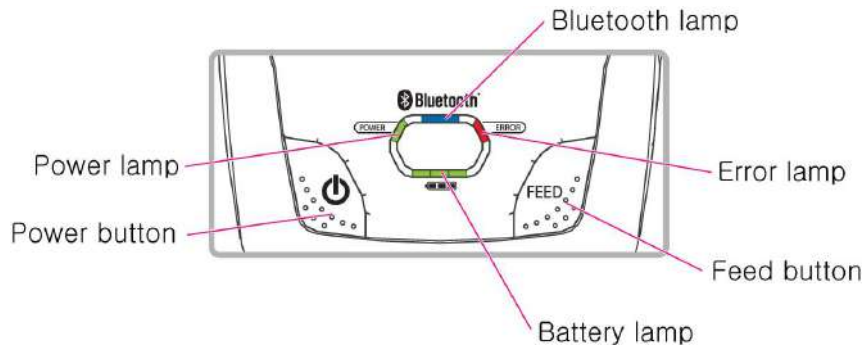
3.3. Read a magnetic stripe card (option)



- ▶ Check the direction of the magnetic stripe and read the card.
- ▶ Holding the card as shown above, please pass at a steady speed (check the direction of the arrow).
- ▶ When the card reading is successful, buzzer sound one time. If it fails, buzzer sounds three times.

4. Using the printer

4.1. Control panel



(Fig.4.1)

► Button

- **FEED Button** : Use feed button to feed the paper continuously.
- **POWER Button** : This button is used to power on/off.
When of 5 or more seconds presses and power comes to on or off.

: In keeping on pressing the **Feed and Power button** simultaneously until after the **ERROR lamp** blinks 5 times, the printer comes out at the circumstance to change the printer mode.
(Refer to **2.6. Set operation mode** for details about mode conversion)

► LAMP

- **Power** : Printer is ON and ready to receive data.
(**GREEN**)
- **Error** : Indicates a fault condition or a printer error.
(**RED**) (details: no paper, paper cover opened. etc.)
- **Bluetooth** : Indicates a Bluetooth connection status.
(**BLUE**)
- **Battery Power** : These lamps(**Green**) indicated the battery power remaining.
(**GREEN**) The battery gain in quantity and these lamps are on the decrease.
If so, you must recharge the battery by using the battery charger.

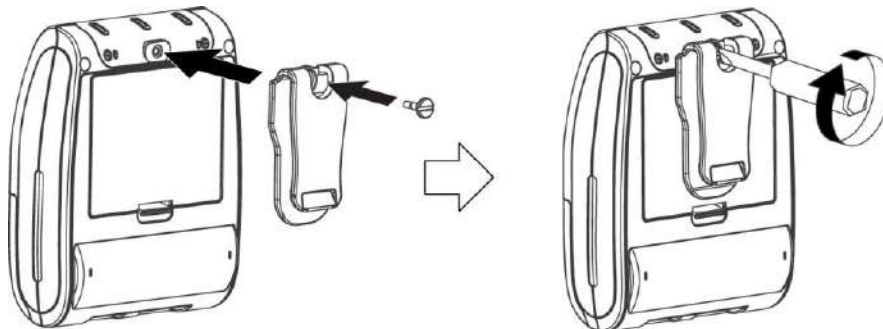
4.2. The self test

Self-Test prints out the current setting value of printer. The way of self-test is as follows.

1. Insert proper paper into the printer.
2. Power on while pressing feed button to start self-test.
3. Printer will print out the current status. (F/W version and set contents)
4. And then pattern of characters will be printed out.
5. Self-test will be finished automatically and turned to the standby status.

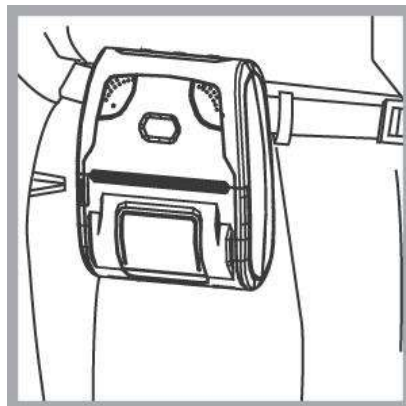
※ In case printer does not work properly, please contact Woosim customer service center.

4.3. Using the Belt clip



Following the instruction of the arrow, please put the belt clip in the hole and turn and fix the screw to the right by using a thing like a screwdriver.

Afterward, you can use it like the picture below



5. Consumable Parts

5.1. Recommended paper

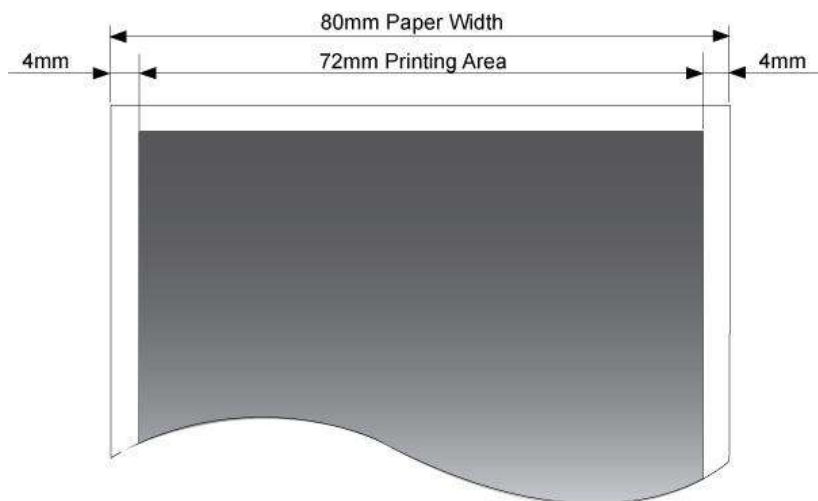
Type	: Thermal Paper
Paper width	: 80mm
Paper thickness	: $60\pm 5\mu\text{m}$
Outer diameter	: $\text{Ø}50\text{mm}$ or less
Recording side	: Outside of roll



Cautions

1. Do not paste the paper to the core. And the roll paper which has Near end mark printing on its near end is recommended.
2. Chemicals or oil may change the color of paper, or printed Characters may fade.
3. Change of paper color starts from approx 70 °C.
Pay attention to heat, humidity and sun light.
4. Color of paper may be changed by being scratched by nail or hard metal, etc

5.2. Printing position



6. Revision History

Date	Version	Comments
Oct. 20. 2014	1.0	Initialize
Jul. 15. 2015	1.1	p3,7,24 Bluetooth spec. update : Ver2.1+ EDR → Ver3.0+ EDR p8,14 Dimension(MSR) modify p16 Mode setting modify(Android or iOS)
Sep. 21. 2015	1.2	p3,8 Print speed modify : 80 → 120mm/sec
Nov. 03. 2015	1.3	p3 Agency approvals update p5 Additional CE warning p7 Additional Symbol(standby, DC current) p10 Battery charger spec modify p11 Battery charge & interface cable image modify p17 Additional battery warnings p25 Bluetooth spec. modify Card read image update p28 Using the belt clip image update
Jul. 01. 2016	1.4	p17 Additional battery charging Notes p25 Read a magnetic card image update
May. 18. 2017	1.5	Change page layout (B5→A4) * Delete address



WSP-R350

Türkiye Genel Dağıtım:
Uting Elektronik ve Endüstriyel Ürünler, Mümessillik,
Dış Ticaret ve San. Ltd.Şti.
Adres: Çobançeşme, Gençosman Sokak no:10
34196 Yenibosna - İSTANBUL
www.utingelektronik.com
Tel: 0212- 639 20 95 Fax: 02120 639 32 19

Üretici Firma:

WOOSIM SYSTEMS INC.
#60, Sandan-ro 388 beon-gil, Galsan Myeon,
Hongseong-gun, Chungcheongnam-do
32200 S.Korea
Tel: +82 41 339 3700
Fax: +82 41 339 3701